

AUDI Q5 Installation

1. Use a rubber knife to prize up the decorative panel



2. Pull out the alarm socket



3. Use a screwdriver to take off the four screws around the LCD screen



4. Take out the OEM LVDS signal socket



5. Use the rubber knife to prize up the AC-Vent from the right side first, then left side, distributed with uniform strength



6. Pull out the air conditioning panel via the rubber knife



7. Use 8mm socket wrench to remove the 4 screws of the OEM radio



8. Centre console picture after take out original Car Radio



12. Finish the disassembling section

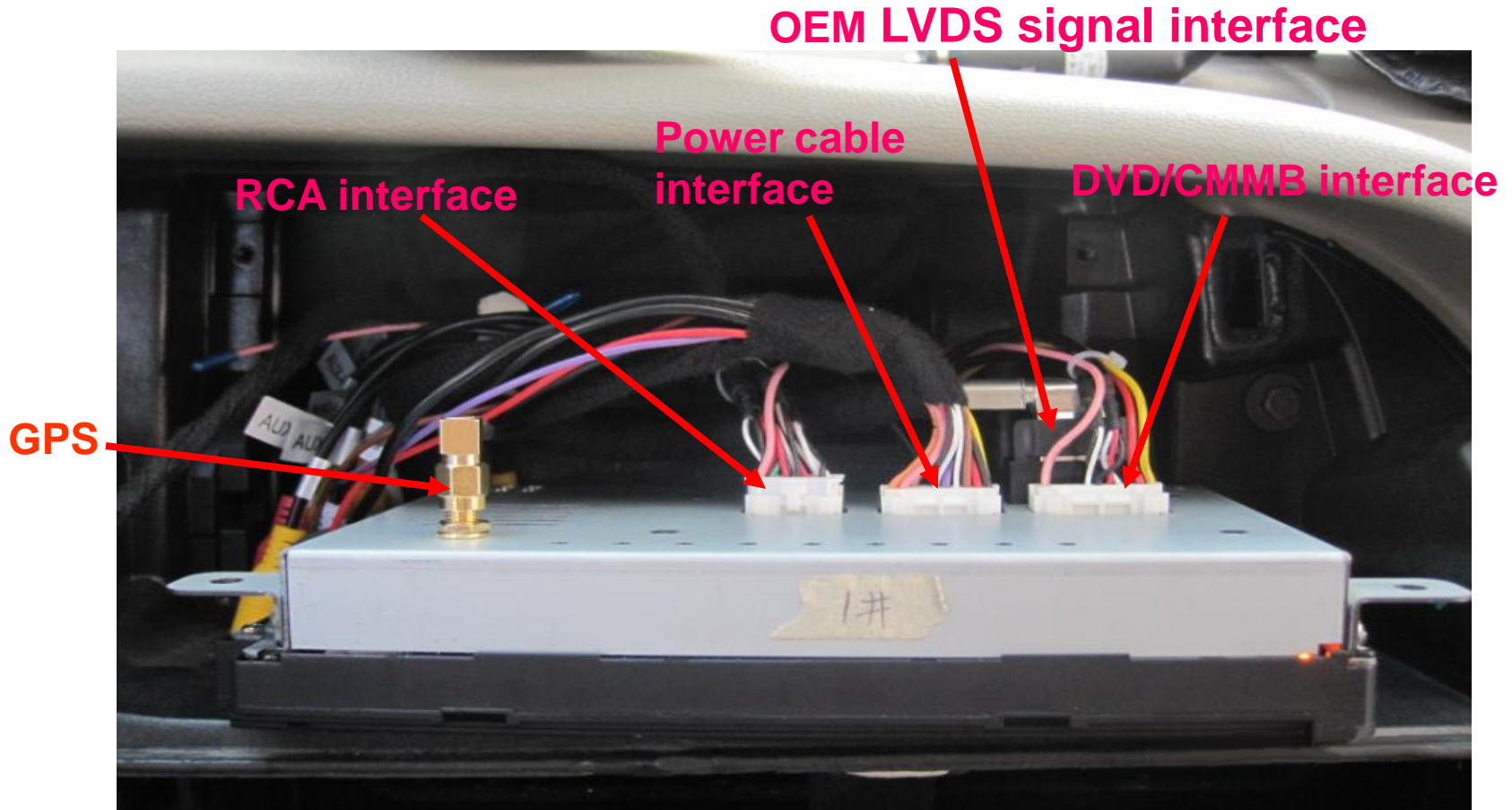
9. Connect the power cable of this new unit to your car central console



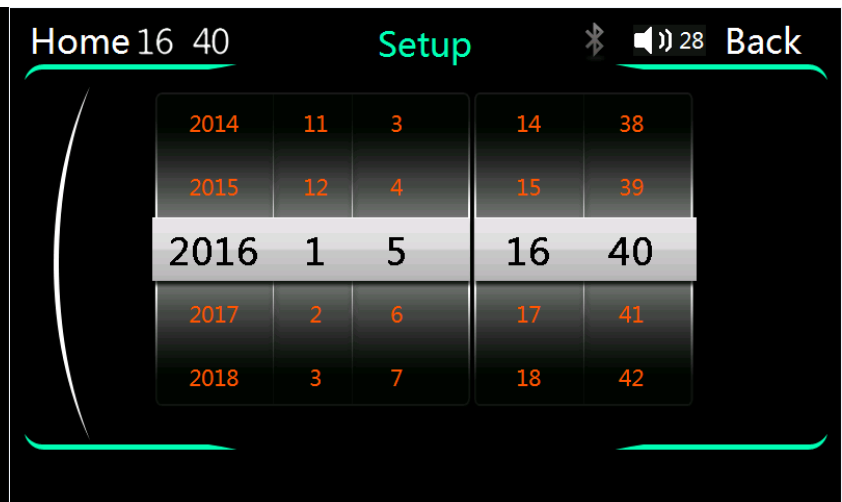
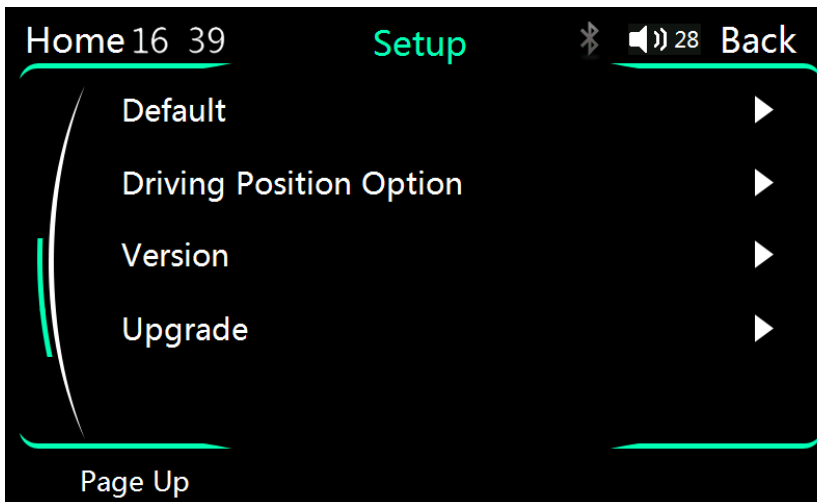
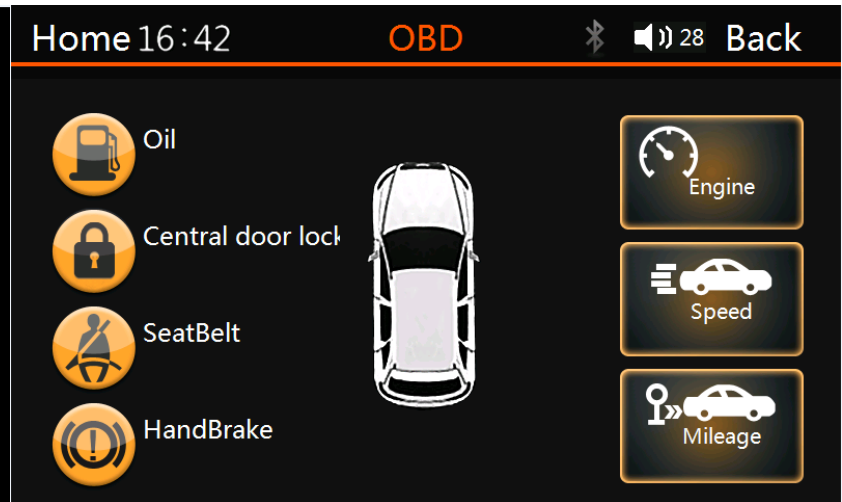
10. Unplug the harness connector as picture and take out the AC panel



11. Connect all cables to unit side, power on this unit to test



12. Test the OBD function to ensure each function normal



13. Finish the installation



thank you !